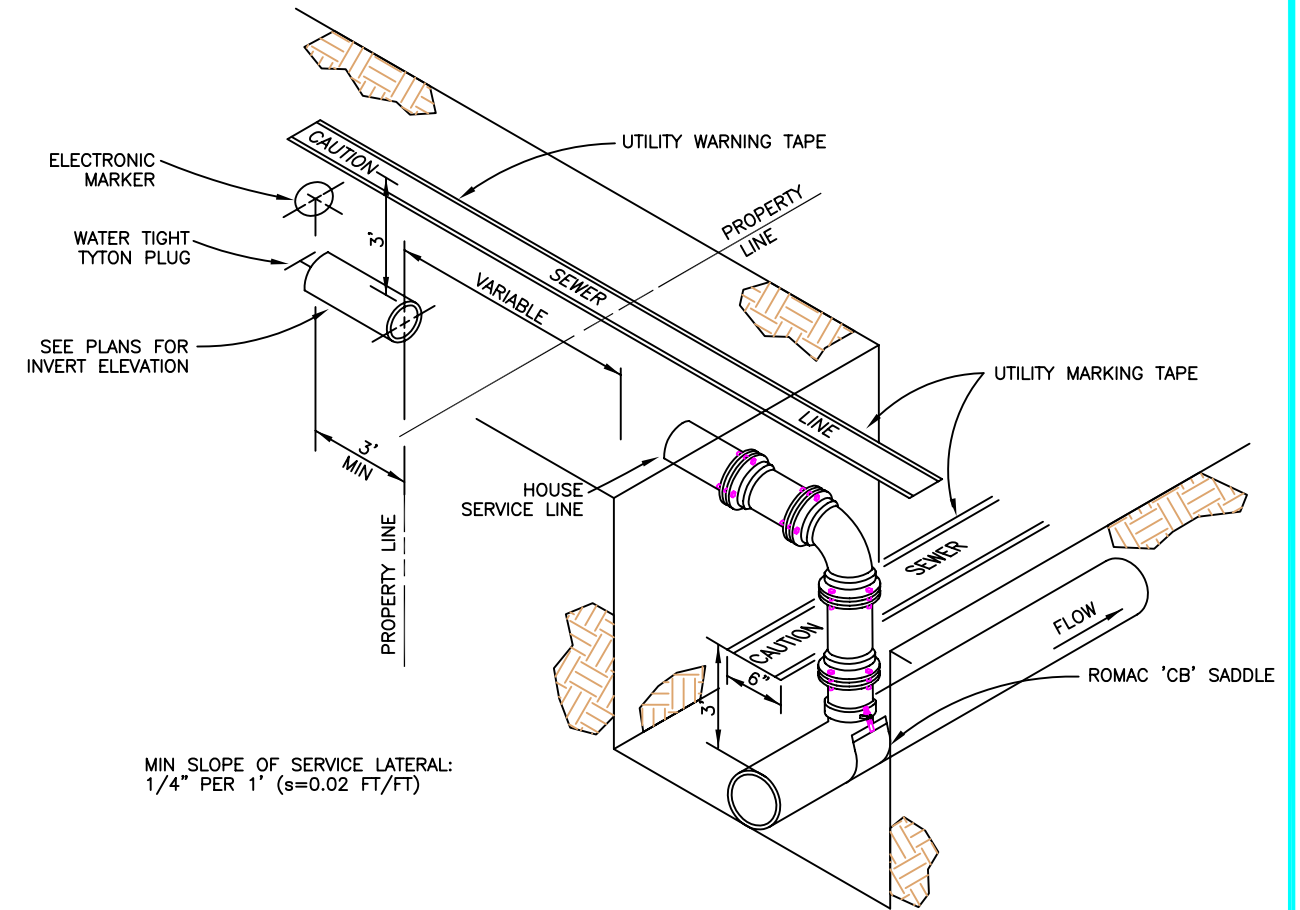
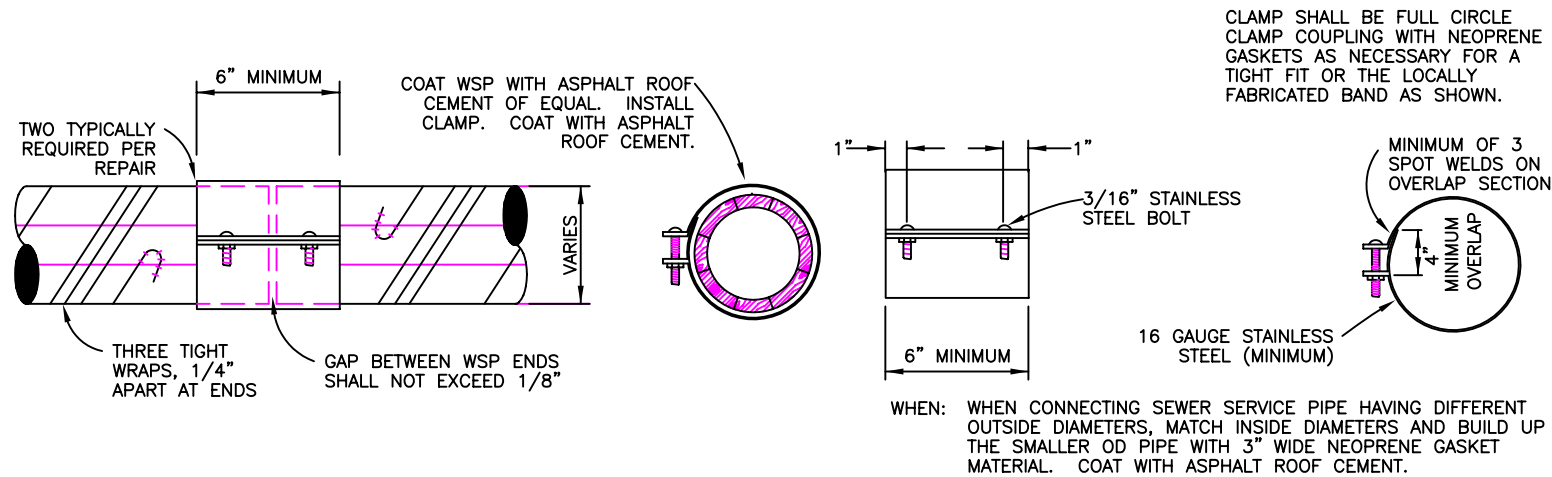


**A HOUSE SERVICE LATERAL DETAILS**  
NOT TO SCALE



**B TYPICAL SEWER SERVICE**  
NOT TO SCALE



**C WOOD STAVE SERVICE REPAIR DETAIL**  
NOT TO SCALE

**GENERAL NOTES:**

1. WHEN SERVICE PIPING IS HDPE OR WOODSTAVE, ALL FITTINGS SHALL BE NO HUB CAST IRON CONNECTED WITH MISSION/FERNCO COUPLINGS.
2. WHEN SERVICE PIPING IS DIP, ALL FITTINGS AND BENDS SHALL BE OF DUCTILE IRON,
3. SERVICE PIPING AND FITTINGS SHALL BE INSULATED WITH A MIN 3" OF URETHANE.
4. SERVICES ARE TYPICALLY 4" DIAMETER, WITH 6" FOR SPECIAL CASES.
5. MINIMUM COVER FOR SEWER SERVICES IS 4 FT.



|         |                                 |     |
|---------|---------------------------------|-----|
| 4/26/06 | UPDATED LATERAL SERVICE DETAILS | CWH |
|         |                                 |     |
|         |                                 |     |
| DATE    | REVISION                        | BY  |

PLAN SCALE: NOT TO SCALE

PLOT SCALE: 1=1

|               |                            |
|---------------|----------------------------|
| DESIGNED      | APPROVED                   |
| DRAWN         |                            |
| CHECKED MJB   | USA ENGINEER               |
| DATE FEB 1998 | FILE: STANDARD DETAILS SS3 |



**SANITARY SEWER SYSTEM SERVICES**

**SS3**