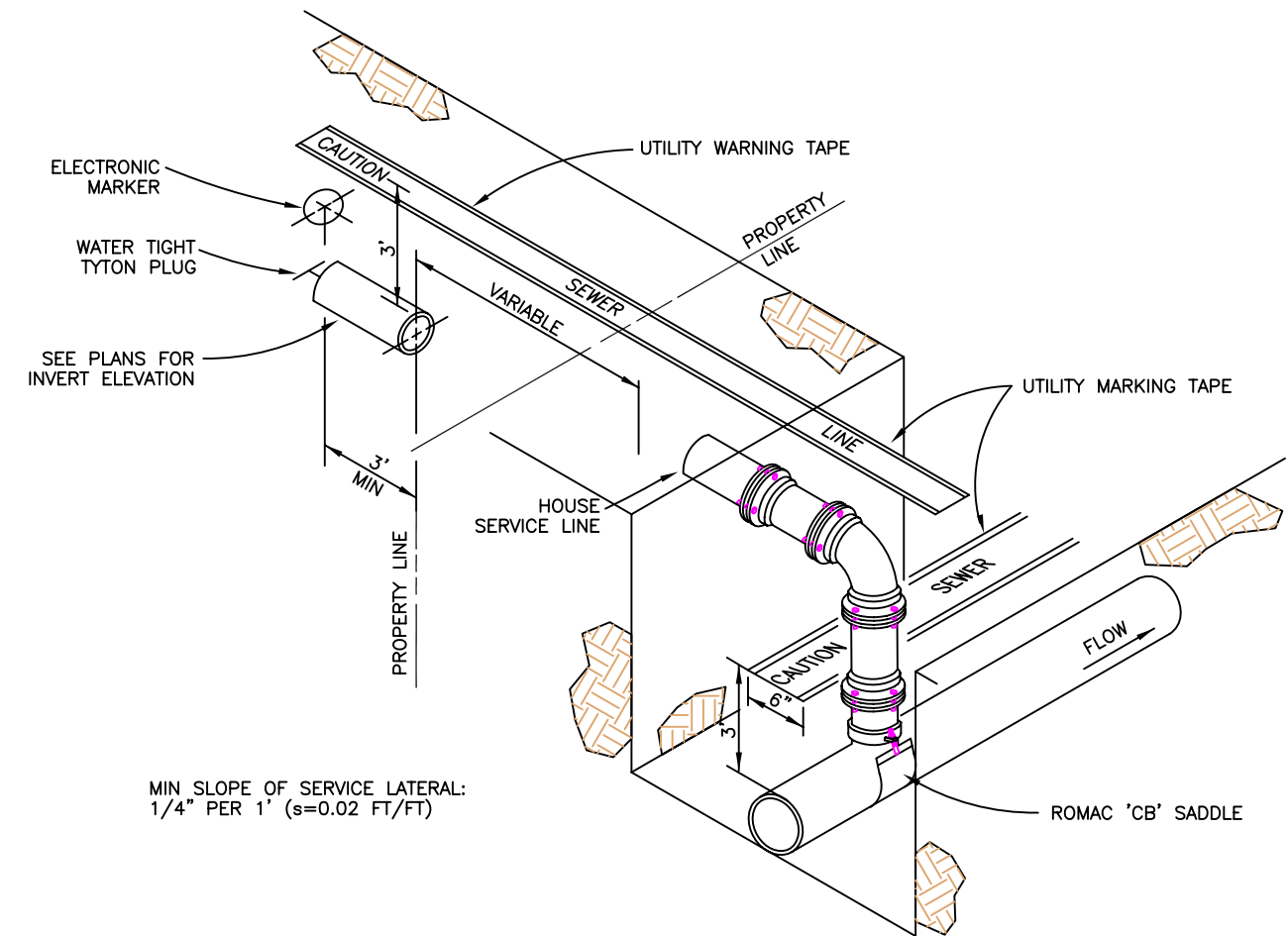
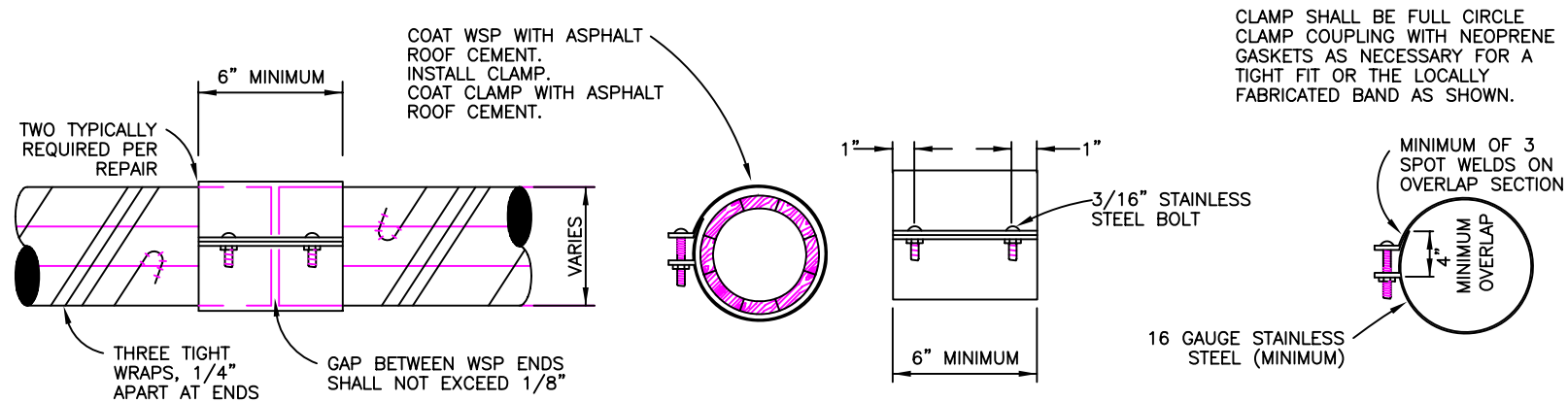


A HOUSE SERVICE LATERAL DETAILS (REFERENCE SERVICE LINE STANDARDS)
NOT TO SCALE



MIN SLOPE OF SERVICE LATERAL:
1/4" PER 1' (s=0.02 FT/FT)

B TYPICAL SEWER SERVICE
NOT TO SCALE



WHEN CONNECTING SEWER SERVICE PIPE HAVING DIFFERENT OUTSIDE DIAMETERS, MATCH INSIDE DIAMETERS AND BUILD UP THE SMALLER OD PIPE WITH 3" WIDE NEOPRENE GASKET MATERIAL. COAT WITH ASPHALT ROOF CEMENT.

GENERAL NOTES:

1. WHEN SERVICE PIPING IS HDPE OR WOODSTAVE, ALL FITTINGS SHALL BE NO HUB CAST IRON CONNECTED WITH MISSION MR56-44 COUPLINGS.
2. WHEN SERVICE PIPING IS DIP, ALL FITTINGS AND BENDS SHALL BE OF DUCTILE IRON.
3. SERVICE PIPING AND FITTINGS SHALL BE INSULATED WITH A MIN 3" OF URETHANE.
4. SERVICES ARE TYPICALLY 4" DIAMETER, WITH 6" FOR SPECIAL CASES.
5. MINIMUM COVER FOR SEWER SERVICES IS 4 FT.
6. SERVICE SADDLE FURNISHED AND INSTALLED BY UTILITY.

C WOOD STAVE SERVICE REPAIR DETAIL
NOT TO SCALE

| | | |
|---------|---------------------------------|-----|
| 4/26/06 | UPDATED LATERAL SERVICE DETAILS | CWH |
| 4/3/08 | UPDATED LATERAL SERVICE DETAILS | CWH |
| DATE | REVISION | BY |

PLAN SCALE: NOT TO SCALE
PLOT SCALE: 1=1

| | |
|---------------|----------------------------|
| DESIGNED | APPROVED |
| DRAWN | |
| CHECKED MJB | USA ENGINEER |
| DATE FEB 1998 | FILE: STANDARD DETAILS SS3 |



SANITARY SEWER SYSTEM SERVICES

SS3