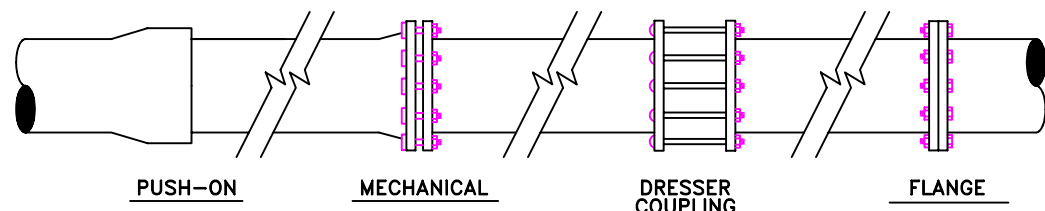
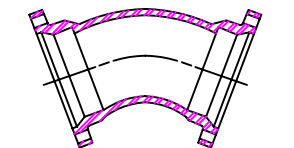


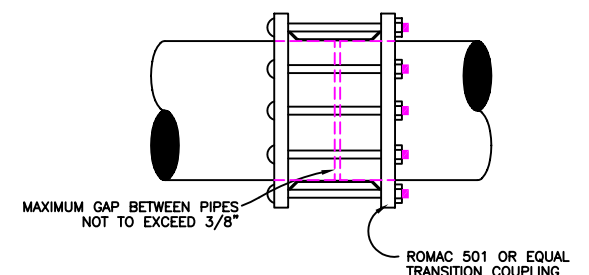
A TYPICAL RELOCATION DETAIL
NOT TO SCALE



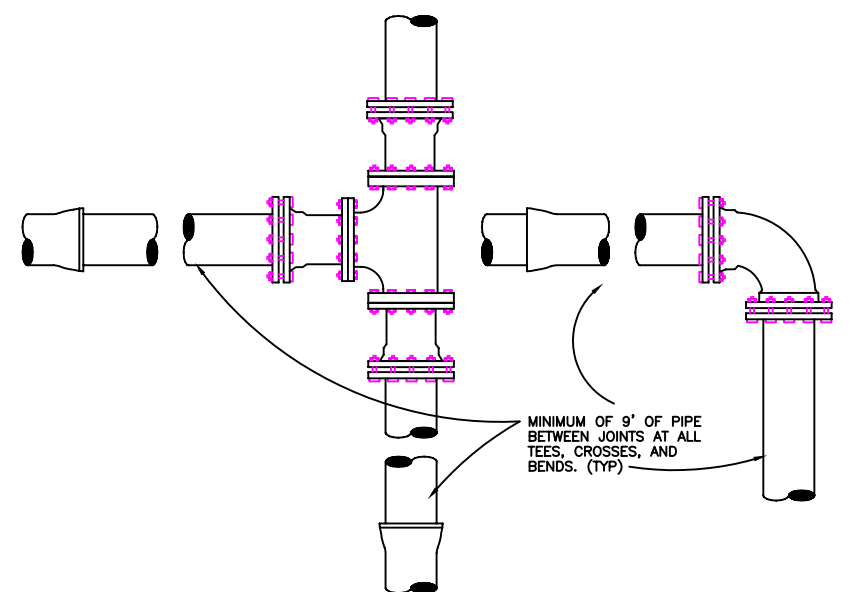
B WATER PIPE JOINTS
NOT TO SCALE



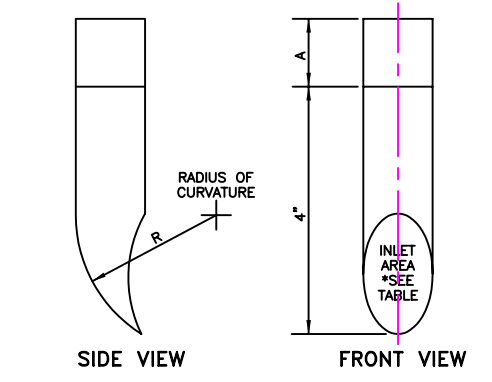
C PIPE FITTINGS
NOT TO SCALE



D ADAPTATION - STEEL TO DUCTILE IRON PIPE
NOT TO SCALE

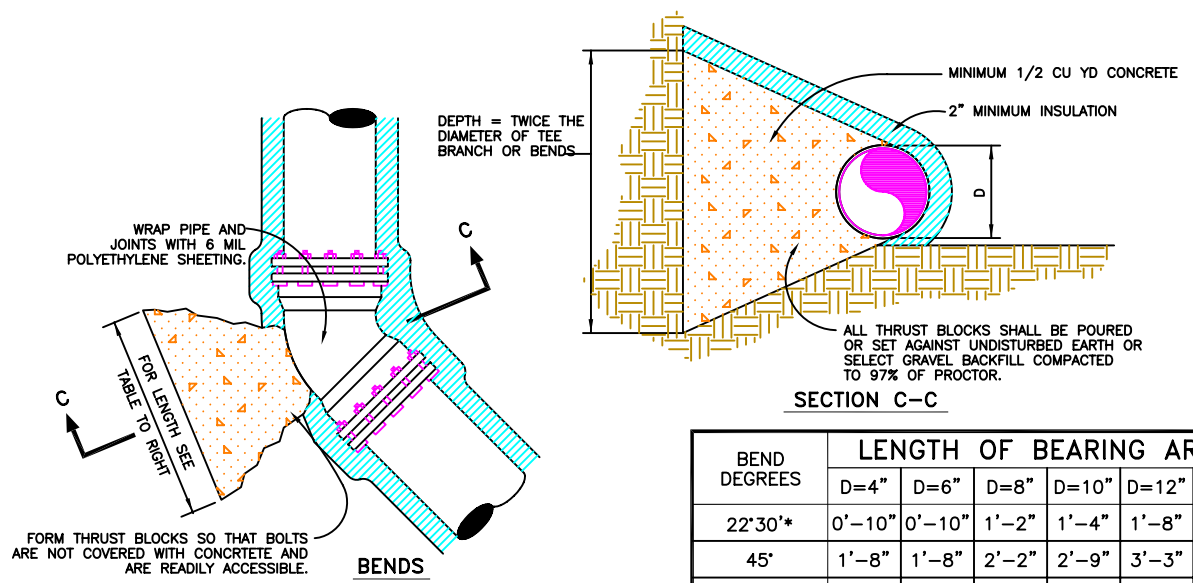


F PIPE LENGTHS REQUIRED AT TEES AND ELBOWS
NOT TO SCALE



PITORIFICE BASIC DIMENSIONS			
NOMINAL SIZE	A (INCHES)	R (INCHES)	AREA INLET (IN ²)
3/4	.75	2	0.75
1	1	2.25	1.34
1 1/2	1.25	2.75	3.00
2	1.25 TO 1.5	3.25	5.4

G STANDARDS FOR PITORIFICE TYPE CORPORATION STOPS
NOT TO SCALE



BEND DEGREES	LENGTH OF BEARING AREA					
	D=4"	D=6"	D=8"	D=10"	D=12"	D=14"
22'30'*	0'-10"	0'-10"	1'-2"	1'-4"	1'-8"	2'-0"
45'	1'-8"	1'-8"	2'-2"	2'-9"	3'-3"	3'-9"
60**	2'-2"	2'-2"	2'-10"	3'-6"	4'-3"	5'-0"
90'	3'-0"	3'-0"	4'-0"	5'-0"	6'-0"	7'-0"

* FOR BENDS GREATER THAN 5', BUT LESS THAN 22'30', USE LENGTH FOR A 22'30'.
** FOR DEAD END, TEE, OR CROSS, USE LENGTH FOR A 60' BEND.

E THRUST BLOCK DETAILS
NOT TO SCALE



JAN 07	UPDATE	MJB
7-16-98	REVISION	MJB
DATE	REVISION	BY

DESIGNED RHP/GSC
DRAWN NBB/DAL
CHECKED MJB
DATE FEB 1998

APPROVED
USA ENGINEER
FILE: STANDARD DETAILS WD2

PLAN SCALE: NOT TO SCALE
PLOT SCALE: 1=1

