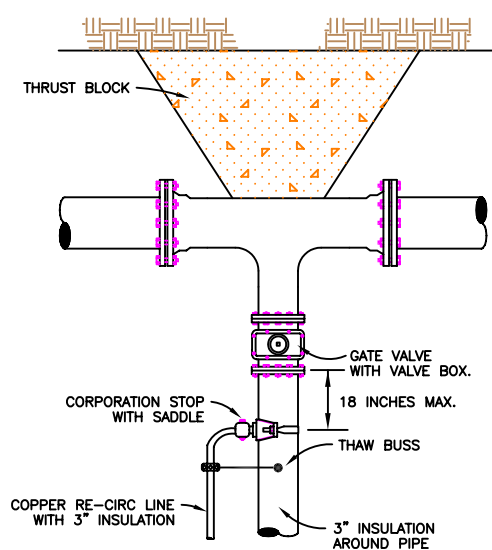
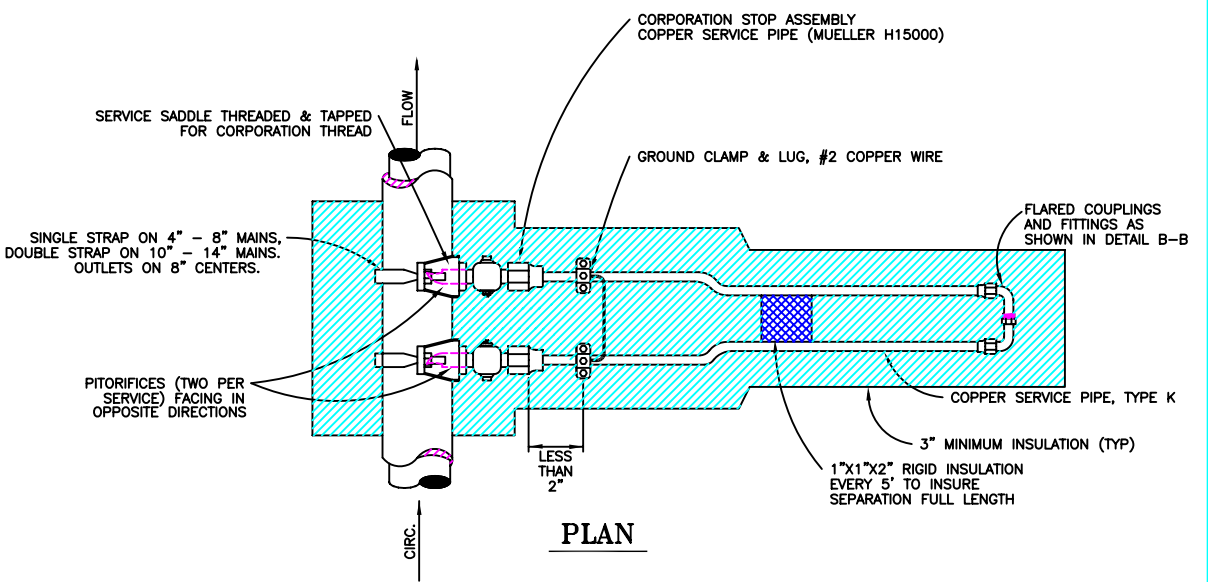


GATE VALVE

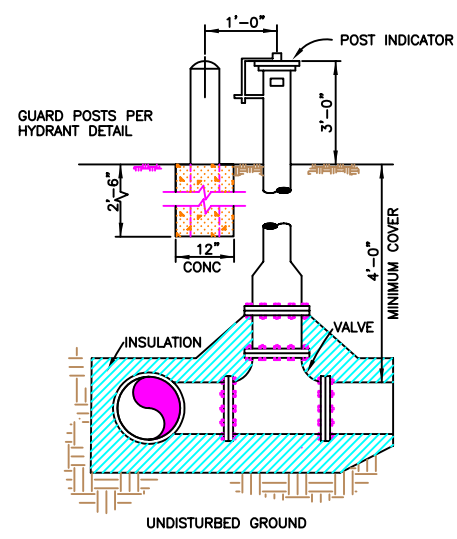


B FIRE SPRINKLER SERVICE

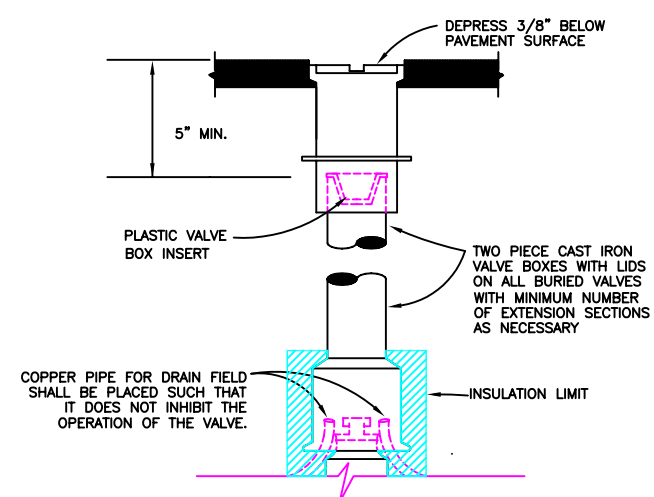
NOT TO SCALE
(CONTACT UTILITY FOR ALTERNATE DESIGNS)



PLAN

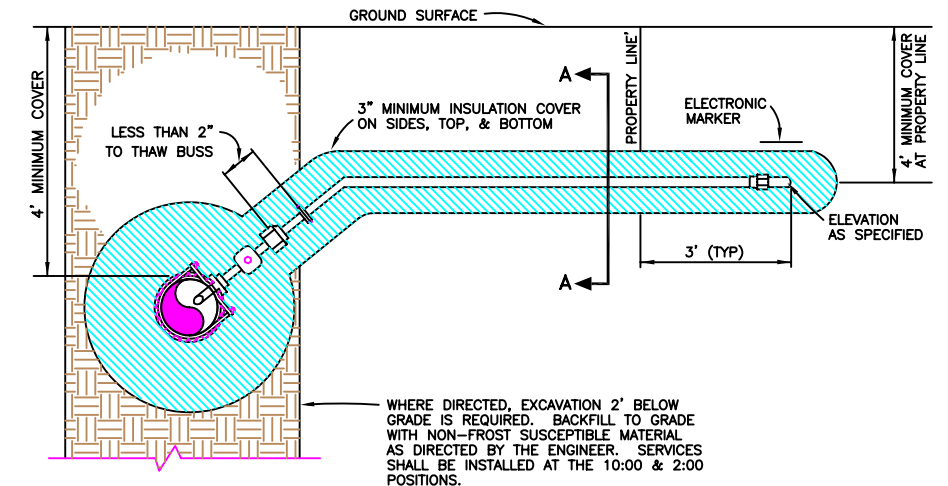


POST INDICATOR VALVE INSTALLATION

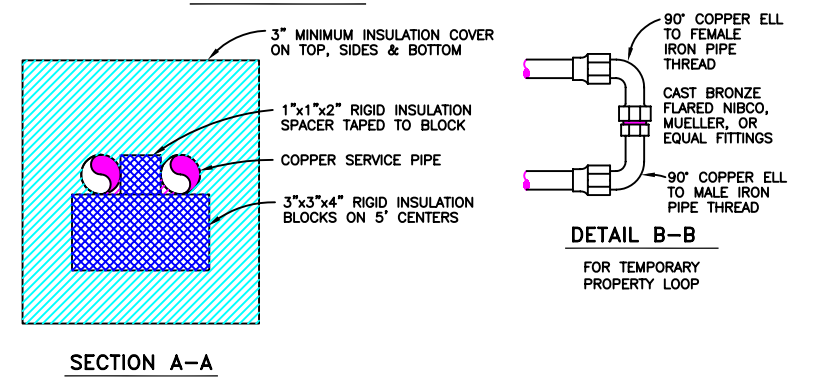


C VALVE BOX

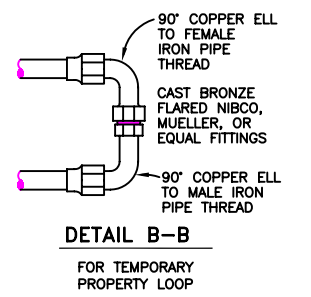
NOT TO SCALE



ELEVATION



SECTION A-A



DETAIL B-B
FOR TEMPORARY PROPERTY LOOP

D DOMESTIC WATER SERVICE

NOT TO SCALE

A VALVES

NOT TO SCALE



7-17-98			PLAN SCALE: NOT TO SCALE
DATE	REVISION	BY	PLOT SCALE: 1=1

DESIGNED RHP/GSC	APPROVED
DRAWN NBB/DAL	
CHECKED MJB	USA ENGINEER
DATE FEB 1998	FILE: STANDARD DETAILS WD3

