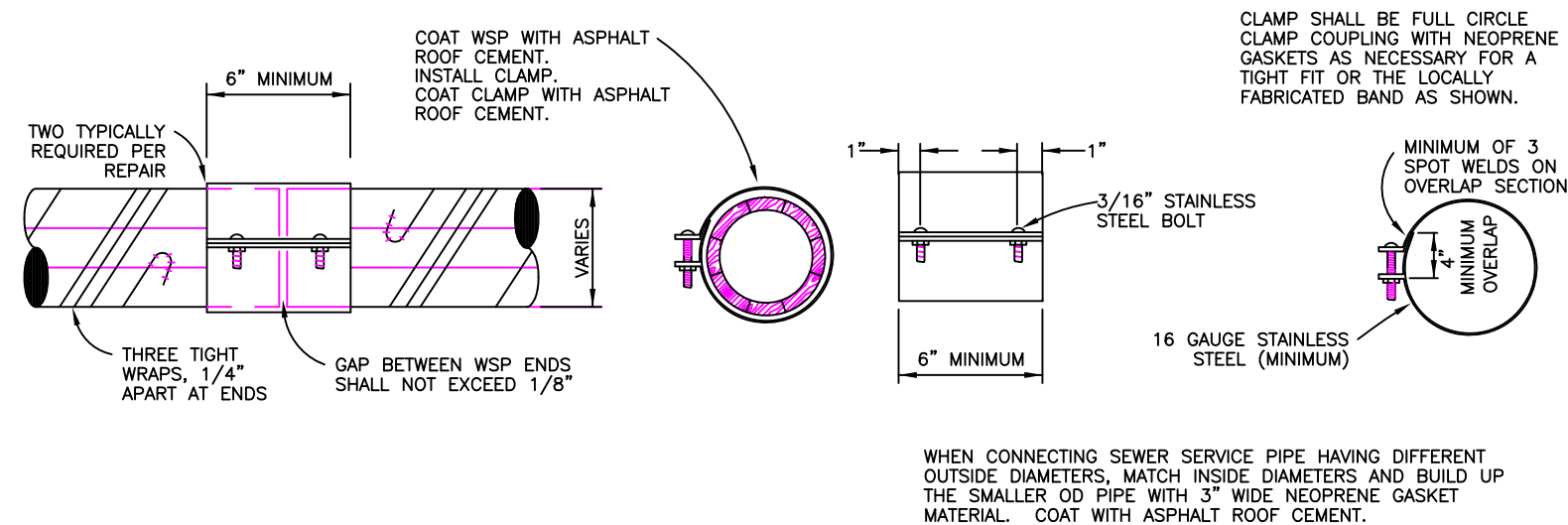


**A HOUSE SERVICE LATERAL DETAILS**  
NOT TO SCALE

**B TYPICAL SEWER SERVICE**  
NOT TO SCALE



**GENERAL NOTES:**

1. WHEN SERVICE PIPING IS HDPE OR WOODSTAVE, ALL FITTINGS SHALL BE NO HUB CAST IRON CONNECTED WITH MISSION MR56-44 COUPLINGS.
2. WHEN SERVICE PIPING IS DIP, ALL FITTINGS AND BENDS SHALL BE OF DUCTILE IRON.
3. SERVICE PIPING AND FITTINGS SHALL BE INSULATED WITH A MIN 3" OF URETHANE.
4. SERVICES ARE TYPICALLY 4" DIAMETER, WITH 6" FOR SPECIAL CASES.
5. MINIMUM COVER FOR SEWER SERVICES IS 4 FT.
6. SERVICE SADDLE FURNISHED AND INSTALLED BY UTILITY.

**C WOOD STAVE SERVICE REPAIR DETAIL**  
NOT TO SCALE

4/26/06	UPDATED LATERAL SERVICE DETAILS	CWH
4/3/08	UPDATED LATERAL SERVICE DETAILS	CWH
DATE	REVISION	BY

PLAN SCALE: NOT TO SCALE  
PLOT SCALE: 1=1

DESIGNED	APPROVED
DRAWN	USA ENGINEER
CHECKED MJB	FILE: STANDARD DETAILS SS3
DATE FEB 1998	

