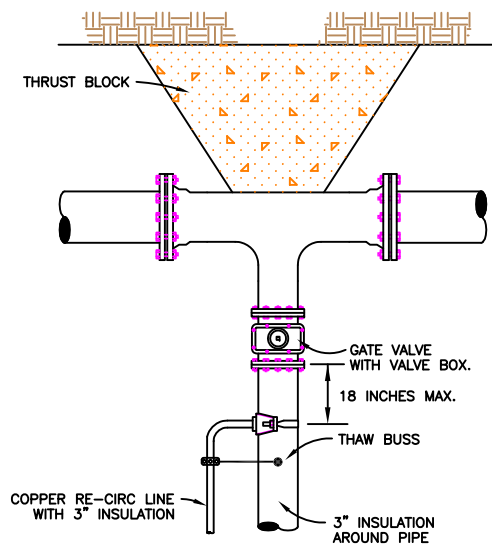
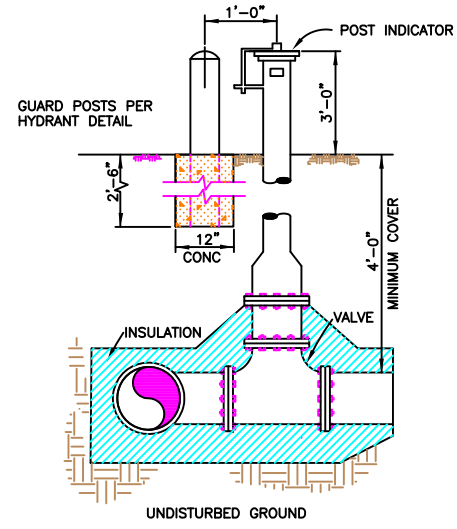
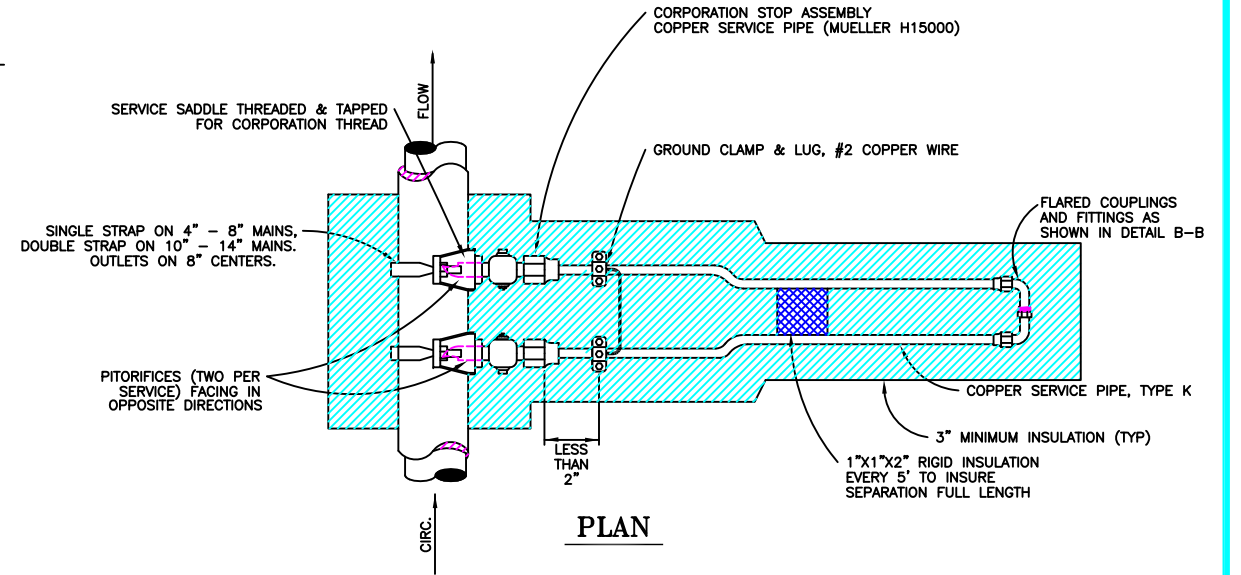


**GATE VALVE**



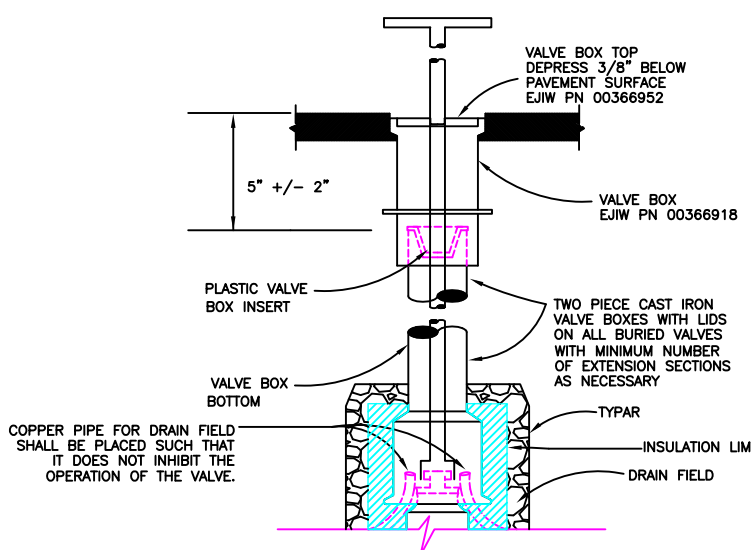
**B FIRE SPRINKLER SERVICE**  
NOT TO SCALE

(CONTACT UTILITY FOR ALTERNATE DESIGNS)



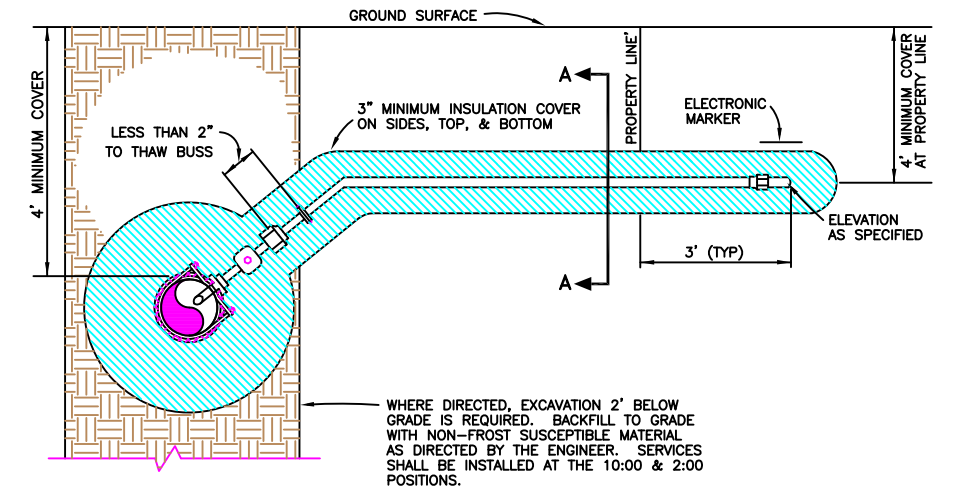
**POST INDICATOR VALVE INSTALLATION**

**A VALVES**  
NOT TO SCALE

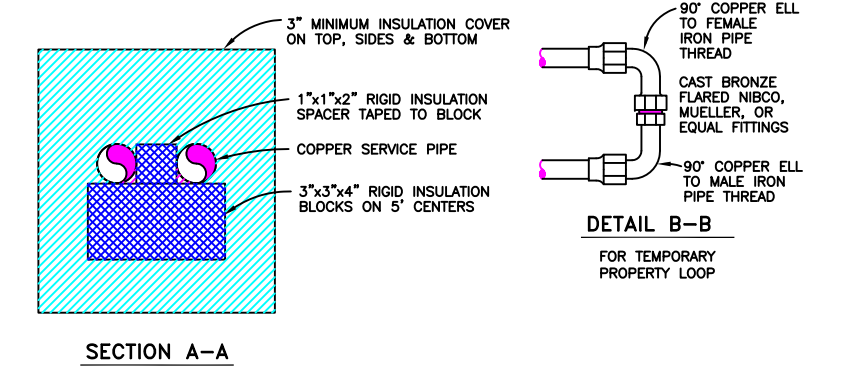


**C VALVE BOX**  
NOT TO SCALE

- NOTES:
1. VALVE BOX ASSEMBLY SHALL BE GENERALLY PLUMB AFTER ROAD IS RESURFACED.
  2. FOR ACCEPTANCE, IT MUST BE POSSIBLE TO OPERATE A VALVE WITH THE KEY IN A VERTICAL POSITION WITHOUT INTERFERENCE FROM VALVE BOX BOTTOM, RISERS, OR CAN.
  3. FOR ACCEPTANCE, VALVE BOX TOP MUST SIT FLAT IN FRAME.
  4. FOR ACCEPTANCE, THE BOX ASSEMBLY MUST BE CLEARED OF DEBRIS (MUD, GRAVEL, ETC.)



**ELEVATION**



**D DOMESTIC WATER SERVICE**  
NOT TO SCALE

7-17-98			PLAN SCALE: NOT TO SCALE
DATE	REVISION	BY	PLOT SCALE: 1=1

DESIGNED RHP/GSC	APPROVED
DRAWN NBB/DAL	
CHECKED MJB	USA ENGINEER
DATE FEB 1998	FILE: STANDARD DETAILS WD3

